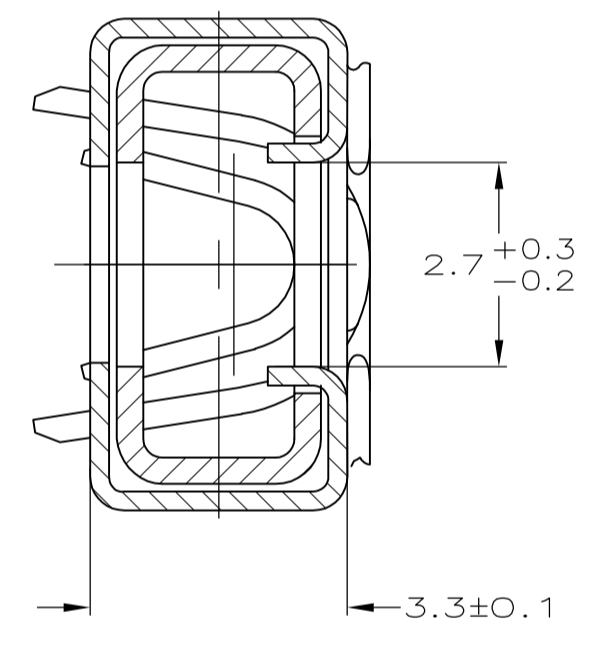
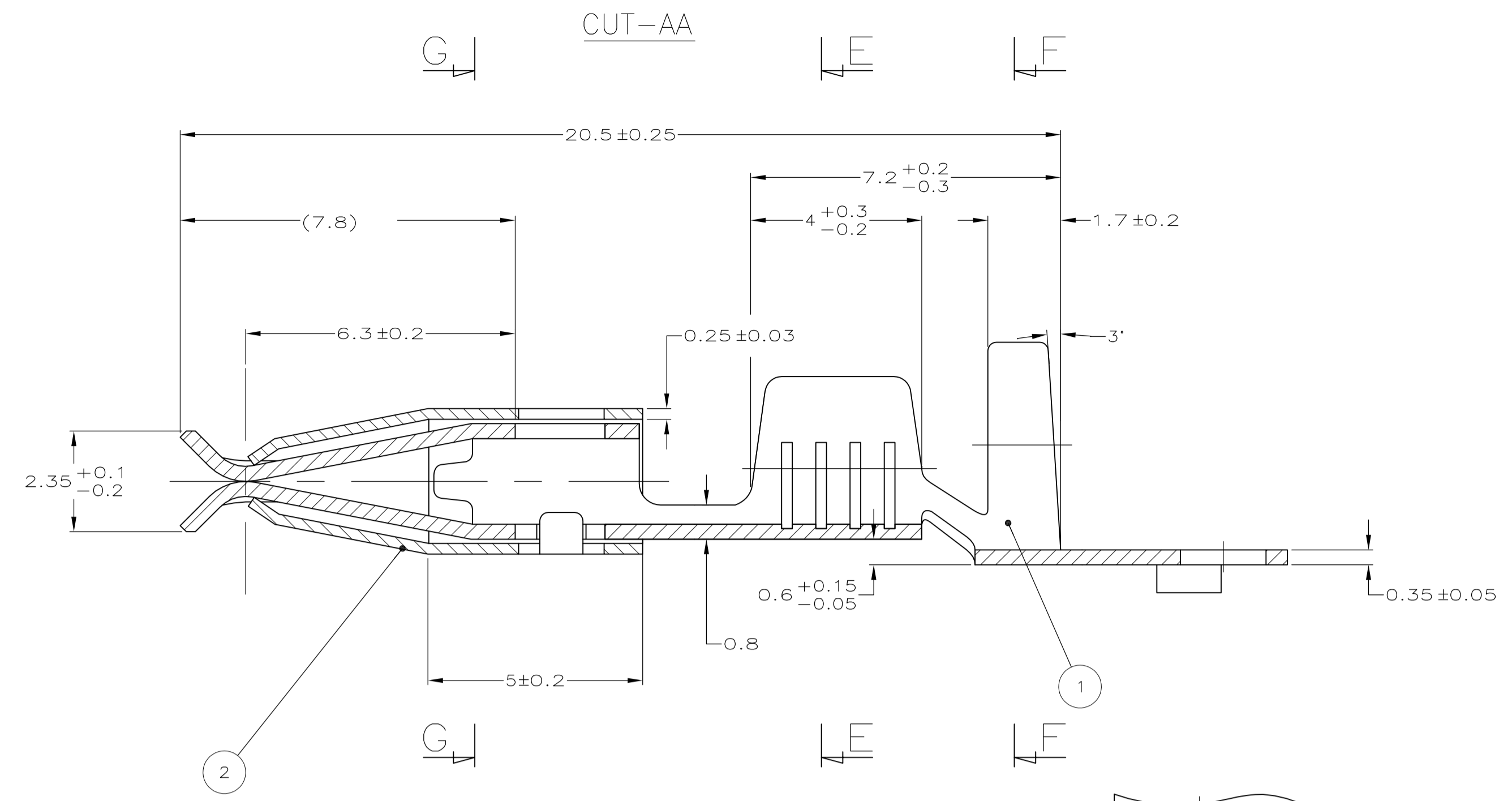
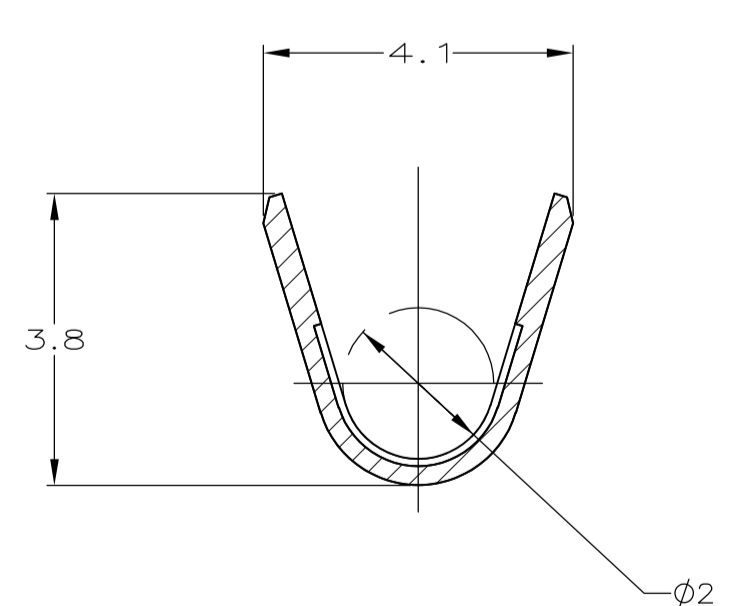
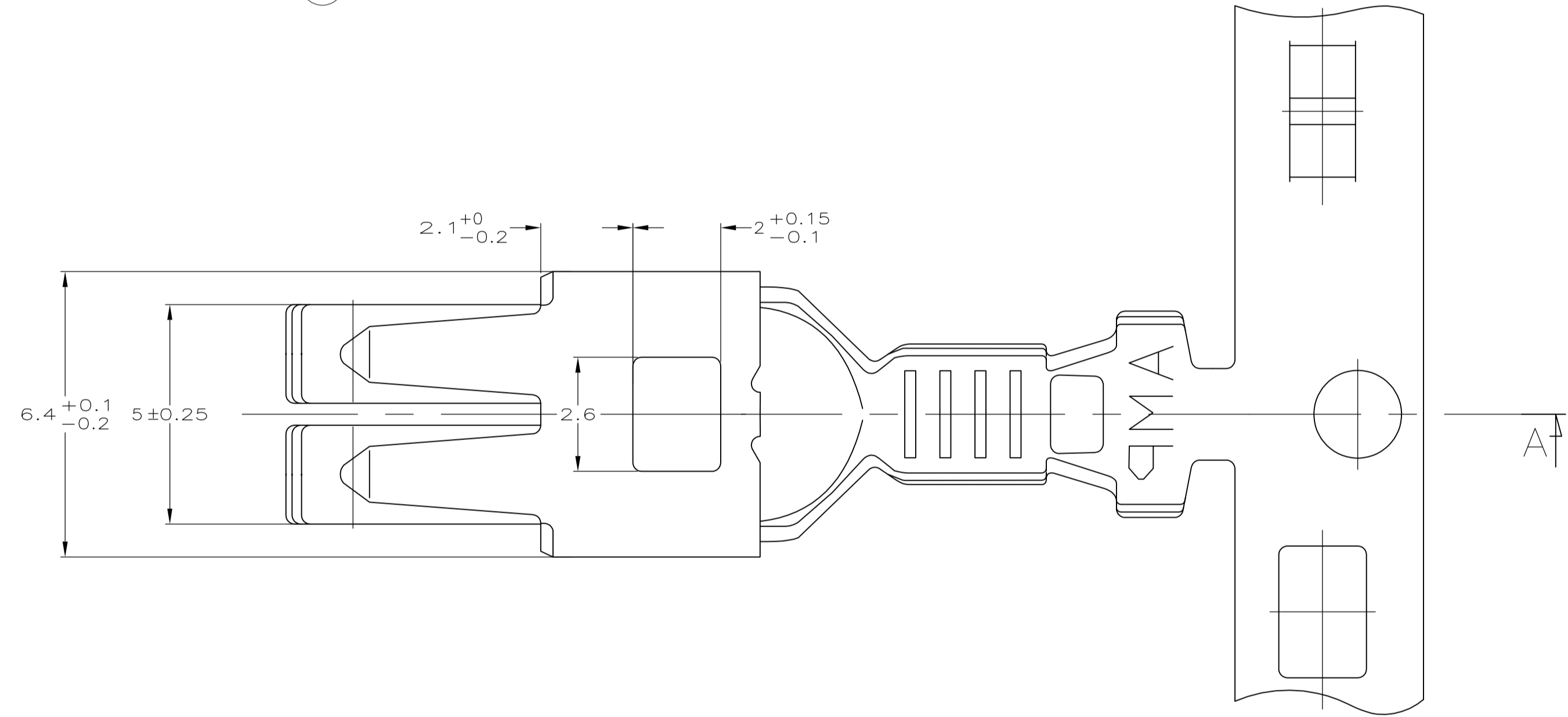


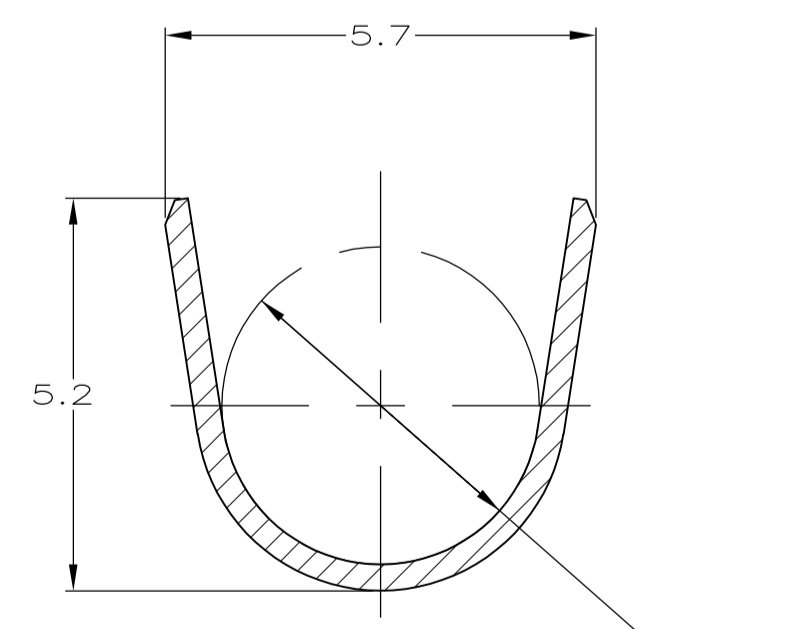
LOC		DIST		REVISIONS				
F	7	P	LTR	DESCRIPTION	DATE	DMN	APVO	
		REV		MODIFICATIONS		DESS	APP	
		J2		ECR-12-014426	29AUG2012	SH	RH	



CUT-GG



SECTION-EE



SECTION-FF

NOTE:
 * FOR CRIMP DIMENSION INFORMATIONS CONTACT TE CONNECTIVITY ENGINEERING

963893-1	>1.0-2.5mm ²	PLAIN	X12 CrNi18-8	STEEL SPRING	2
		[Sn] 1.5-3µm	CuSn4	BODY	1
TE PN	WIRE SIZE	FINISH	MATERIAL	COMPONENT	ITEM NO

THIS DRAWING IS A CONTROLLED DOCUMENT. CE SCHEMA EST UN DOCUMENT CONTROLÉ		DMN/DESSINE SHREESHAIL	17AUG2012	TE Connectivity 6.3mm Receptacle Contact	
TOLERANCES UNLESS OTHERWISE SPECIFIED: TOLERANCES NON SPECIFIEES (SUIV NB DE DECIMALES)		CHK/VERIFIE R. KONRAD	17AUG2012		
DIMENSIONS: mm		APVO/APPROVE G. MUMPER	17AUG2012	NAME/TITRE	
0 PLC / DEC ± 1 PLC / DEC ± 0.2 2 PLC / DEC ± 3 PLC / DEC ± 4 PLC / DEC ± ± 2°		PRODUCT SPEC SPEC. PRODUIT		APPLICATION SPEC SPEC. APPLICATION	
MATERIAL MATIERE SEE TABLE		FINISH FINITION SEE TABLE		SIZE/FORMAT A1	RESTRICTED TO RESERVE A
WEIGHT MASSE APPROX		UNIFORMEMENT POUR REFERENCE		SCALE/ECHELLE 10:1	SHEET/FEUILLE 1 DE 1
CUSTOMER DRAWING/PLAN CLIENT		UNIFORMEMENT POUR REFERENCE		SCALE/ECHELLE 10:1	SHEET/FEUILLE 1 DE 1